

### Main Features

- Low profile dual port Mini PCIe network adapter card with Intel I210-AT LAN controller
- Provides fully compliant 10/100/1000 RJ-45 Ethernet port through single PCIe slot
- Form Factor: PCI Express Mini card
- Support Wake-on-Lan and PXE network boot support
- Compliant with IEEE802.3, IEEE802.3u, IEEE802.3ab

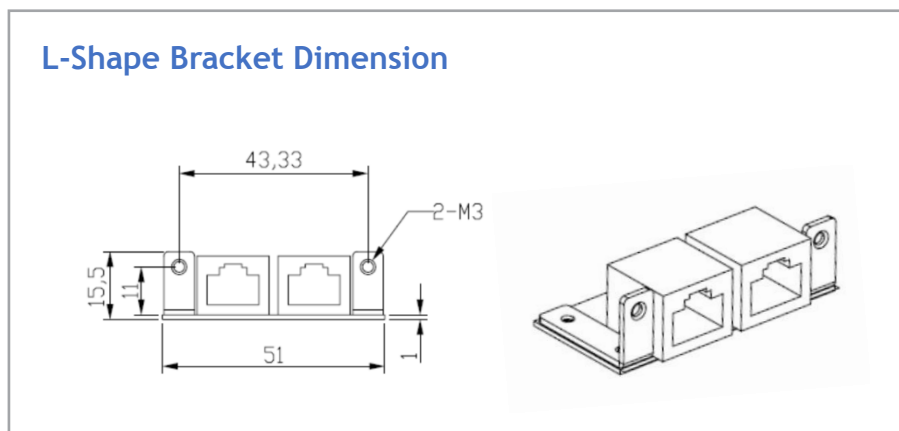
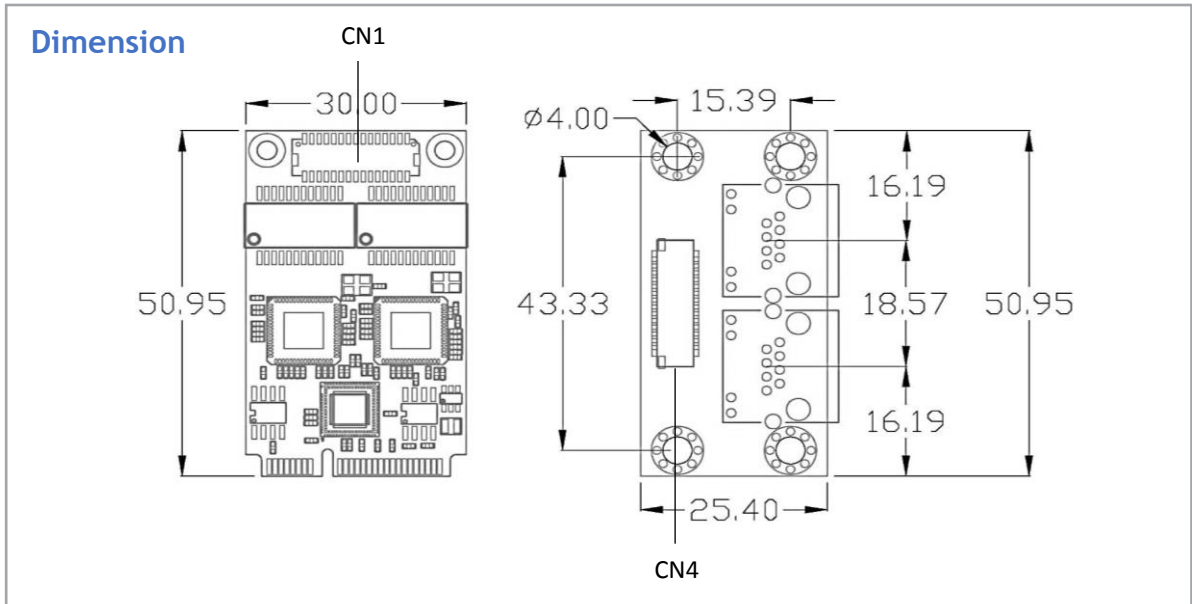
### Product Overview

The PEL210SB Mini PCI Express Gigabit Network Adapter Card adds 1000Mbps network connectivity to a Mini PCI Express (PCI Express Mini Card, Mini PCIe) enabled computer system, such as Mini-ITX motherboards or fanless System.

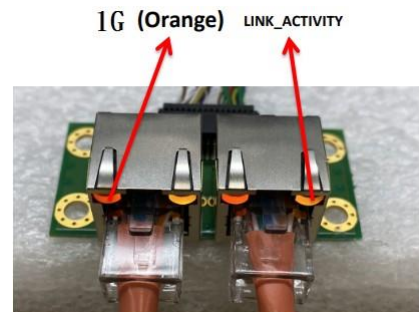
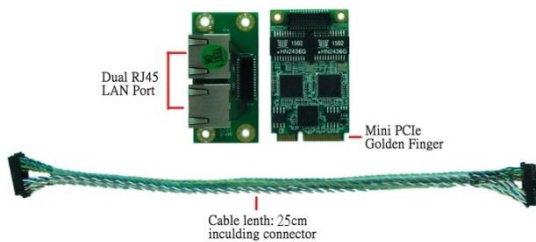
PEL210SB flexible design is perfect for small form factor or embedded systems that originally lack Gigabit networking capability, or for adding a network connection without taking up a full-sized PCI Express slots, this high quality Mini PCIe Network Adapter includes a low profile/half-height bracket for additional installation options.

### Specifications

Chipset	Intel I210-AT Gigabit LAN Controller
Form Factor	Mini PCIe Form Factor
Whole Duplex	Full Duplex Flow Control
Network Interface Type	RJ-45 Copper connector board with cable
Transmission Speed	10/100/1000Mbps, PCIe v2.1 (2.5 GT/s)
Functions	Support WOL, PXE and Teaming Functions
Power Input	On board 3.3V
Dimension	LAN Module Dimension : 50.95 x 30(mm) RJ45 LAN Adapter Dimension : 50.95 x 25.4(mm)
Compatible Operating System	Windows 7 / Windows 8.1 / Windows 10 Windows Server 2008 / Windows Server 2008 R2 / Windows Server 2012 / Windows Server 2012 R2 / Windows Server 2016 / Windows Server 2019 (ver. 1903) Linux (latest ver. 24.1)
Working Temperature	0°C-70°C



### Front view

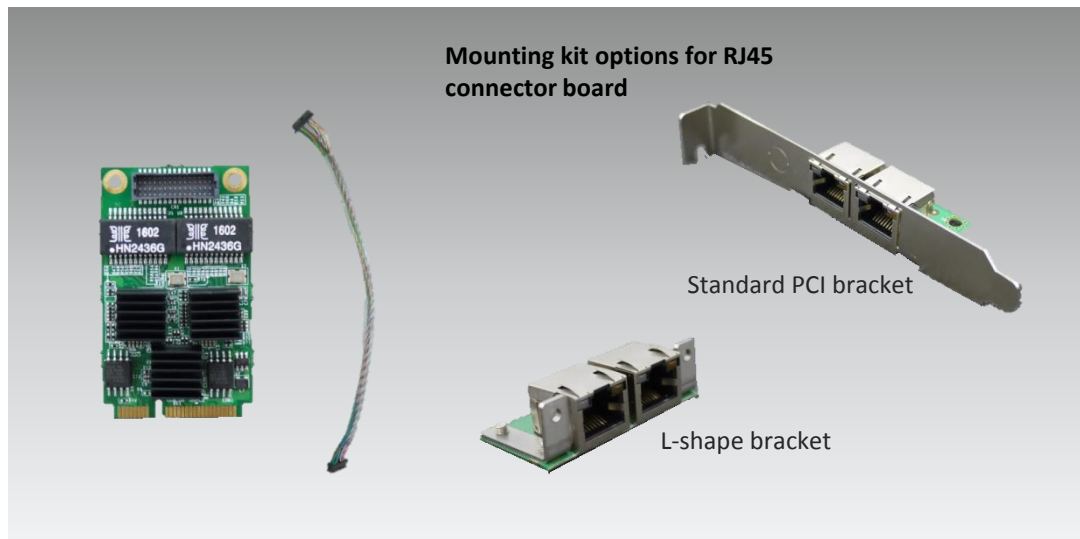


### Ordering Information

#### PEL210SB

- MiniPCIe to Dual port GbE LAN Module
- Two Intel I210AT Controller
- Complies with PXE Specification
- w/ 25cm cable and dual port RJ45

## Optional Accessory Kit For PEL series



### Mounting kit options for RJ45 connector board

- **43252BKT0001** PCI/PCIe slot bracket
- **4325LBKT0001** L-shape mounting kit

## Pin definition

### CN1

Pin	Description	Pin	Description
1	LINK_100	2	LINK_1000
3	MX_A3-	4	MX_A2-
5	MX_A3+	6	MX_A2+
7	MX_A1-	8	MX_A0-
9	MX_A1+	10	MA_A0+
11	VCC3	12	LINK_ACTIVITY
13	NC	14	NC
15	NC	16	NC
17	NC	18	NC
19	LINK2_100	20	LINK2_1000
21	MX2_A3-	22	MX2_A2-
23	MX2_A3+	24	MX2_A2+
25	MX2_A1-	26	MX_A0-
27	MX2_A1+	28	MX_A0+
29	VCC3	30	LINK2_ACTIVITY

### CN4

Pin	Description	Pin	Description
1	LINK2_100	2	LINK2_1000
3	MX2_A3-	4	MX2_A2-
5	MX2_A3+	6	MX2_A2+
7	MX2_A1-	8	MX2_A0-
9	MX2_A1+	10	MX2_A0+
11	VCC3	12	LINK2_ACTIVITY
13	NC	14	NC
15	NC	16	NC
17	NC	18	NC
19	LINK_100	20	LINK_1000
21	MX_A3-	22	MX_A2-
23	MX_A3+	24	MX_A2+
25	MX_A1-	26	MX_A0-
27	MX_A1+	28	MA_A0+
29	VCC3	30	LINK_ACTIVITY